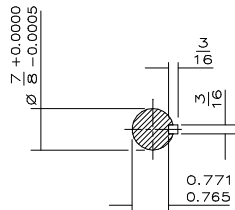
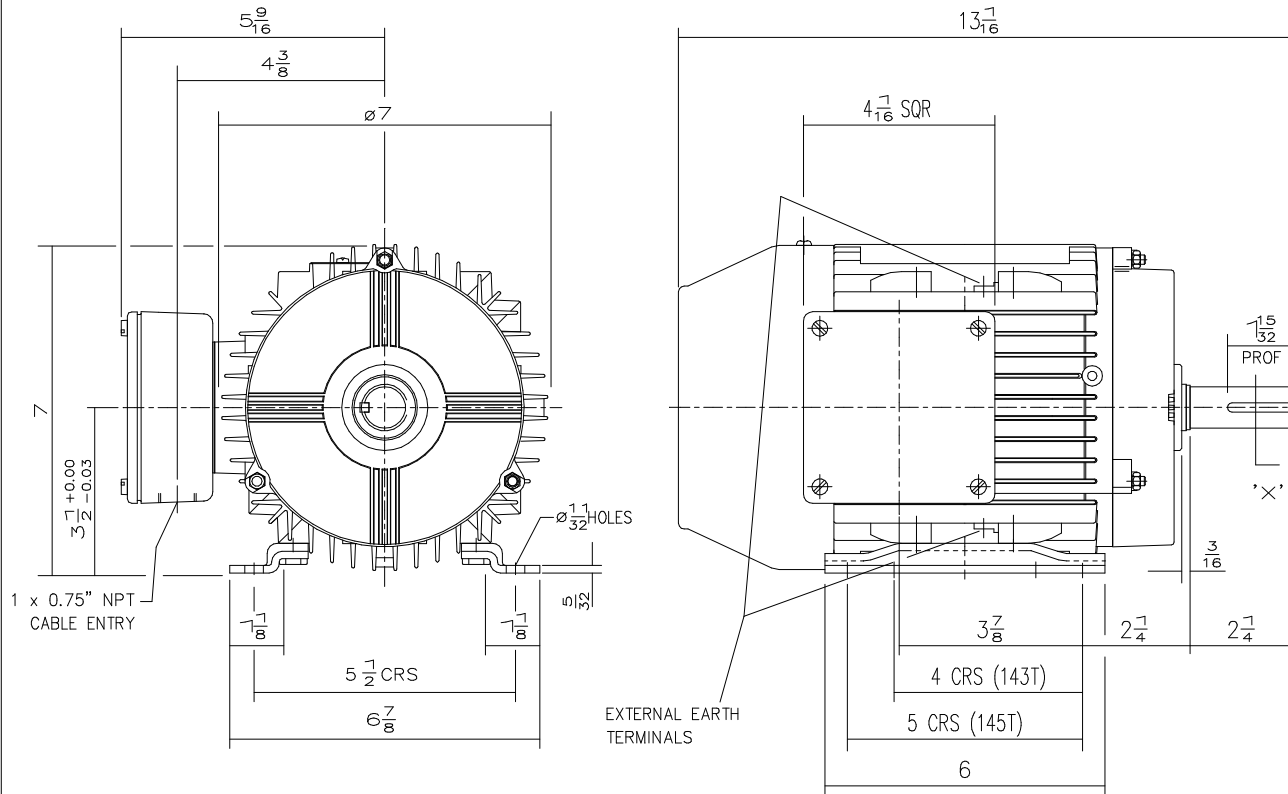


DRG. No. W31GF001/0

DRG. REF.



SECTION ON 'X'

ALL DIMENSIONS IN INCHES.
 TERMINAL BOX CAN BE ARRANGED IN 3 OR 12 O'CLOCK POSITIONS.
 CONDUIT ENTRIES:- TERMINAL BOX CAN BE ROTATED AT 90° INTERVALS
 (CONDUIT ENTRY POSITION SHOWN FOR ILLUSTRATION ONLY)

CUSTOMER		
ORDER No.		
PART No.		
OUR ORDER No.		
FRAME SIZE		
KW.	RPM.	
Hz	PHASE	
VOLTS	POLES	
BRGS.	DE.	NDE.
MOTOR NETT WT.	Kg.	
SPECIAL REMARKS		

ALL DIMENSIONS IN INCHES



BROOK CROMPTON

Huddersfield, HD1 3LJ
 ENGLAND

SHEET TITLE
 SIZE A3 OUTLINE DIMENSION DRAWING W ALUMINIUM TOTALLY ENCLOSED FAN COOLED
 W-DA143T-E FRAME FOOT MOUNTED MOTOR

	NAME	DATE
DRAWN	DRM	03-10-98
CHECKED	RR	05-10-98
SCALE	1: 2.5	

DRG. No.	W31GF001/0	
DRG. REF.		
REVISION:		DATE